

EASTRON



|| LXH-15S-20S || VOLUMETRIC PISTON PLASTIC WATER METER

APPLICATION

This range of water meter is used to measure the total quantity of cold potable water which consumed in household or a resident unit, passing through the pipeline

FEATURES

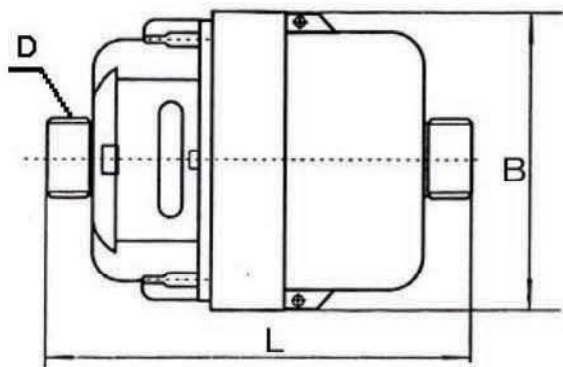
- Completely plastic shell, solid and robust design, long service guaranteed. High quality materials fiberglass reinforced polymerization amine. Plastic thread connecting couplings.
- Optimum accuracy and performance at all times, in any position; Revolutionary grooved piston for improved, durability and performance; Durable tamperproof construction;
- Accurate measurement, easy and long term clear reading, etc.
- Option: Available with pulse output

MAIN TECHNICAL DATA (ISO 4064-1: 2005)

DN Size	mm inch	15 1/2"	20 3/4"
Q4(m ³ /h)		3.125	5
Q3(m ³ /h)		2.5	4
R160	Q2(l/h)	22.5	40
	Q1(l/h)	15.62	25
R200	Q2(l/h)	20	32
	Q1(l/h)	12.5	20
R250	Q2(l/h)	16	25.6
	Q1(l/h)	10	16
R400	Q2(l/h)	10	16
	Q1(l/h)	6.25	10
Min. Reading (m ³)		0.0001	0.0001
Max. Reading (m ³)		9,999	9,999
Max. Pressure (MAP)		16	16
Pressure loss (Δp)		63	63
Max. Temperature		T50 for Cold Water	
Pulse Output Option		Vmax=24V Imax=100mA Pmax=2W	

DIMENSIONS AND WEIGHTS

Size DN	mm in	15 1/2"	20 3/4"
Length(L)		115	165
Width(B)		90	95
Connecting Thread D		G 3/4B	G 1B
Weight (kg)		0.6	0.8



LXH-15S-20S VOLUMETRIC PISTON PLASTIC WATER METER

Exploded View

